



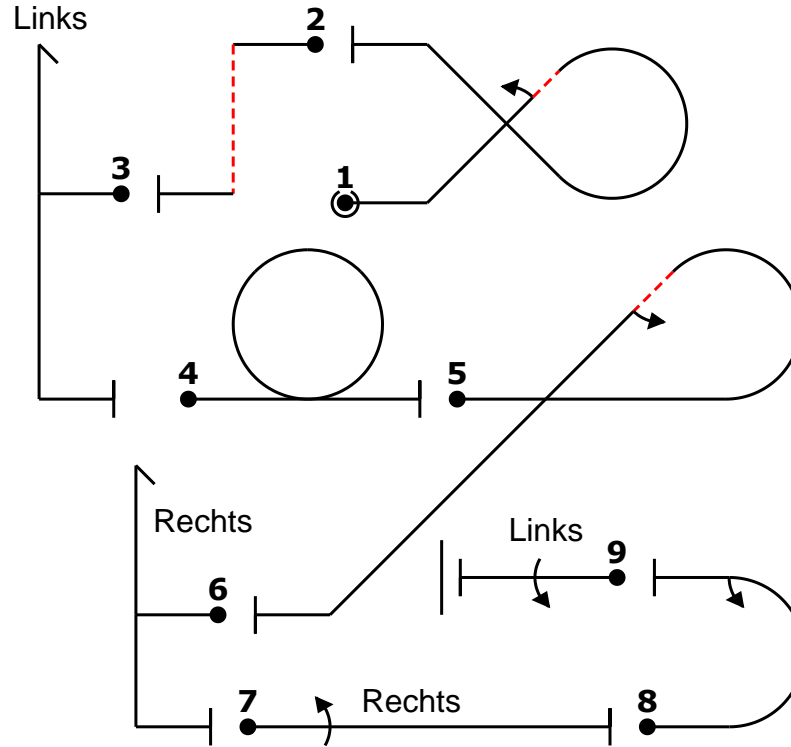
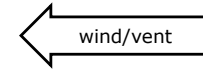
	Form A
Pilot ID	SALZMANN-Cup 2022 Glider Sportsman Unknown 4
	Flight #

No	Symbol	Cat. No.	K	Total K	Grade	Pos	Remarks	Item	K	Grade
1		7.3.2.1 9.1.2.2	14 9	23	.			Pos.	15	
								Harm.	0	
2		1.1.6.3	10	10	.			Fig K	Total K	
								133	148	
3		5.2.1.1	17	17	.			Penalties		
								Too Low		
								Too High		
								Interruptions		
								Insertions		
								Trg Violation		
								Wing Rocks		
Disqual Fig										
Other(note...)										
5		8.5.6.1 9.1.4.2	10 6	16	.			Final Freestyle		
								Duration	Min	Sec
6		5.2.1.1	17	17	.			Judges Details		
								Signature		
								Name		
7		1.1.1.1 9.1.3.4	2 12	14	.			Number		
8		7.2.2.1 9.1.3.2	6 6	12	.					
9		1.1.1.1 9.1.3.4	2 12	14	.					

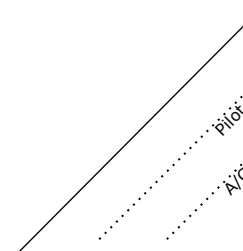
..... Pilot
 A/C



Pilot ID		Form B
SALZMANN-CUP 2022 Glider Sportsman Unknown 4		Flight #

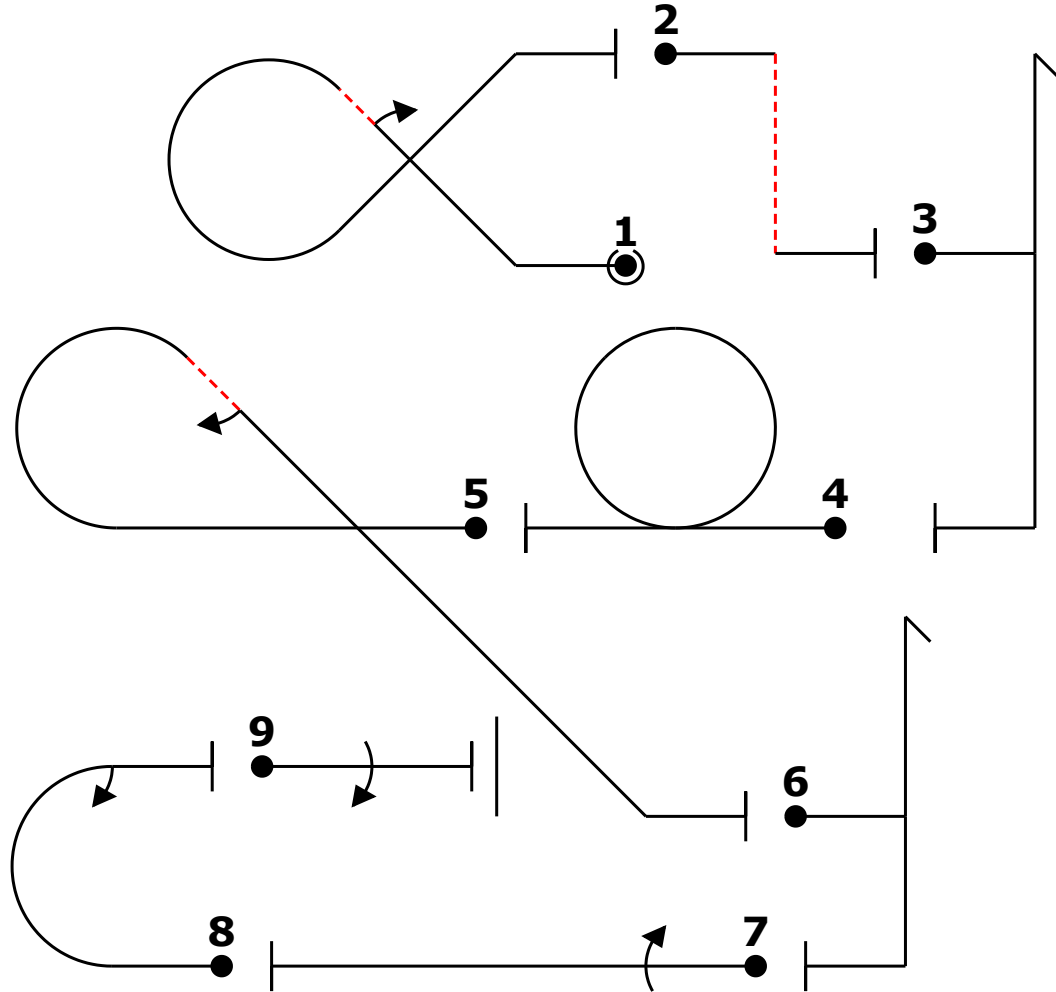
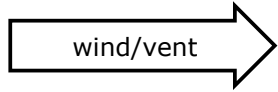


Glider			
Fig	Aresti	K	
1	7.3.2.1 9.1.2.2	14 9	23
2	1.1.6.3	10	10
3	5.2.1.1	17	17
4	7.4.1.1	10	10
5	8.5.6.1 9.1.4.2	10 6	16
6	5.2.1.1	17	17
7	1.1.1.1 9.1.3.4	2 12	14
8	7.2.2.1 9.1.3.2	6 6	12
9	1.1.1.1 9.1.3.4	2 12	14
Total K = 133			





		Form C
Pilot ID	SALZMANN-CUP 2022 Glider Sportsman Unknown 4	Flight #



Pilot:
A/C: